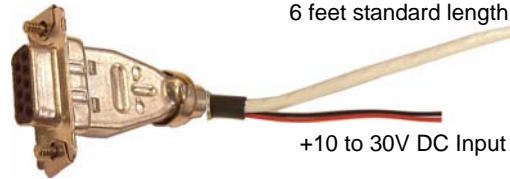
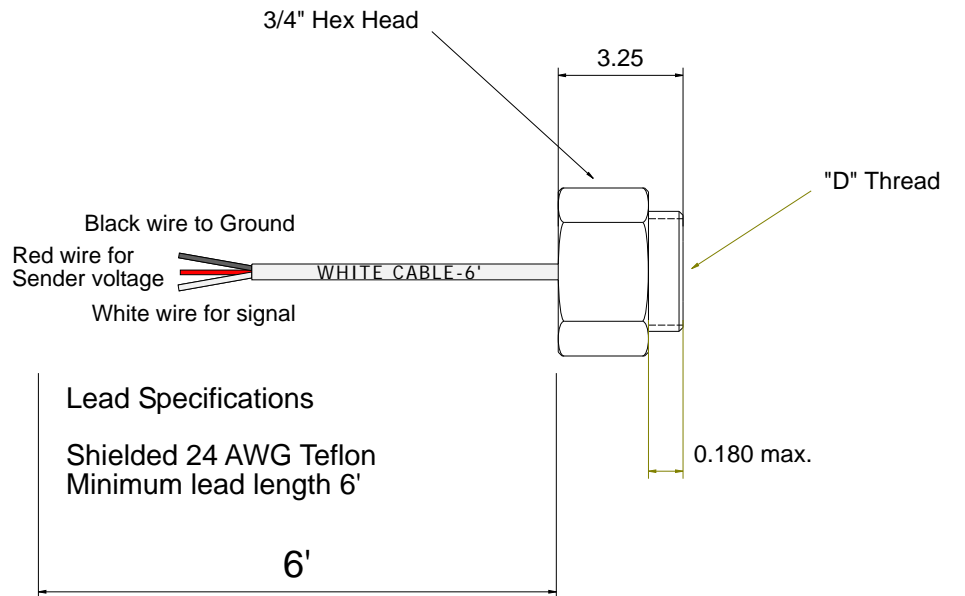
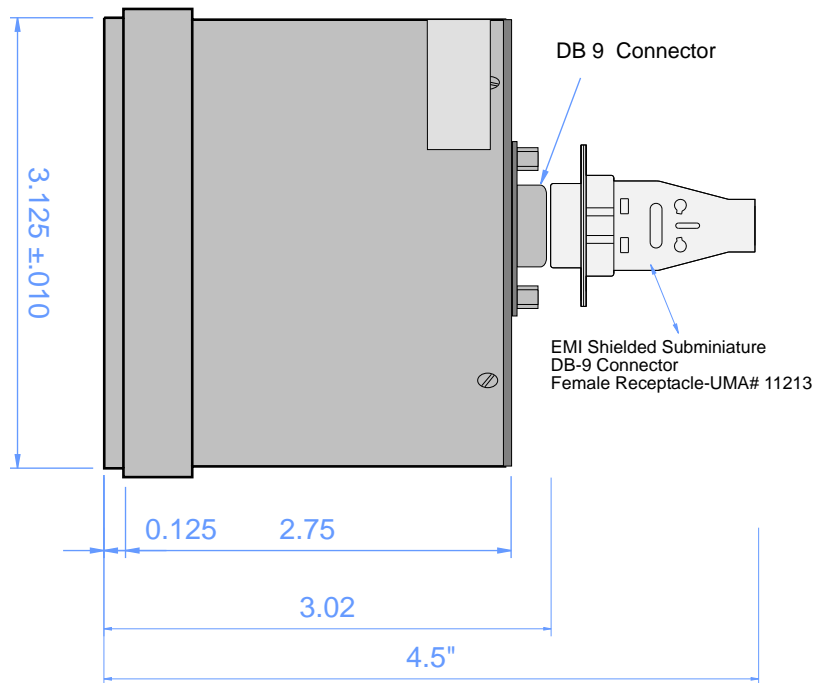


- 1 Voltage In
- 2 Voltage In
- 3 Voltage Out to Sender
- 4
- 5 Signal In
- 6 Internal Lighting (EL)
- 7 Internal Lighting (EL)
- 8 Ground
- 9 Ground



T1A9-1

VENT. HOLE



Type	Sender	"D" Thread
SLICK MAG.	N/T1A9-1	11/16" - 24UNEF - 2A
BENDIX M.	N/T1A9-2	9/16" - 24UNEF - 2A