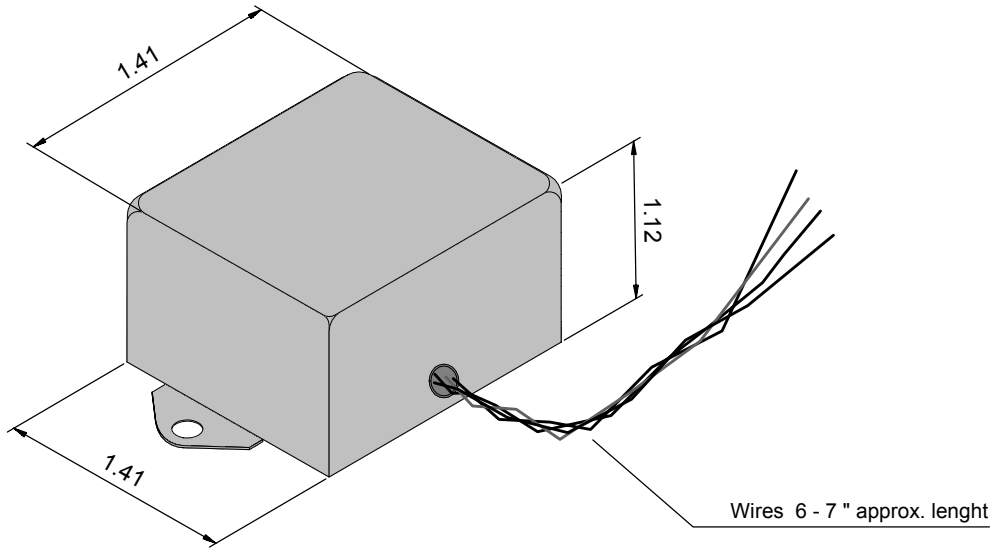
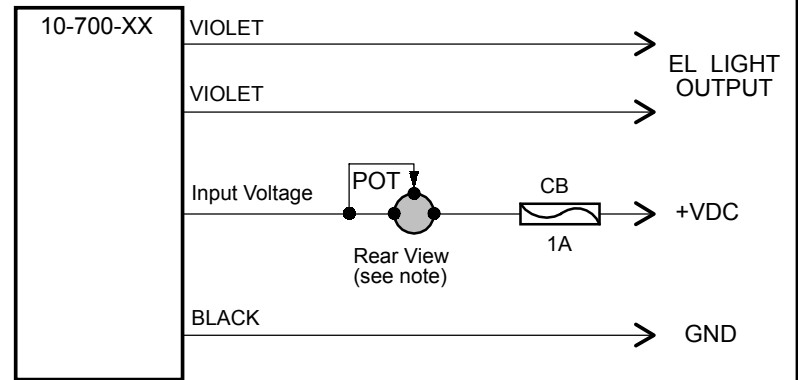


MATERIAL:

OUTLINE DIMENSIONS



CONNECTION DIAGRM



ELECTRICAL SPECIFICATIONS:

PN:	Input Voltage:	Wire color:
10-700-05	0 - 5 VDC	Red
10-700-14	0 - 16 VDC	Green
10-700-28	0 - 30 VDC	Yellow

Input Current: 85 - 120 mA
 Output Voltage: 80 - 130 Vrms
 Output Frequency: 800 - 2500 Hz
 Nominal Load: 27 sq.in. EL material
 (up to 12 UMA bezels and/or internally lit instruments,
 1 large light strip, or 2 small light strips)

Mounting Info: (2) .150 dia. holes @ 1.75" spacing.
 Attach Inverter to metal surface, for heat sink.

Weight: 3.0 oz.

NOTES:

DO NOT GROUND output wires.

Twist output pair of wires (Violet) when connecting EL lights together.

Add Dimmer Potentiometer (UMA# 1G01) 1K 5W, connect as shown for clockwise rotation to increase brightness.

Add 1 amp circuit breaker Potter and Brumfield PN: W23X1A1G1 or equivalent .

						TOLERANCES EXCEPT AS NOTED	UMA Inc, 260 Main St. Dayton, VA 22821				
						.XX .XXX	SCALE	N/A	DATE:	2/12/99	SHEET
							SUPPLIER COMPLETE	<input type="checkbox"/>	DRAW BY	CBH	1 of 1
						ANGULAR	DESCRIPTION EL VOLTAGE INVERTER				
02-0076	C	Revised specifications	JM	9/19/02			APP	PART#	10-700-XX	REV	C
99-0008	B	changed to 1 A circuit breaker.	CBH	10/28/99	CFH						
99-0002	A	added part number 1G01.	CBH	9/02/99	CFH						
ECO	REV	DESCRIPTION	DR	DATE	APP						